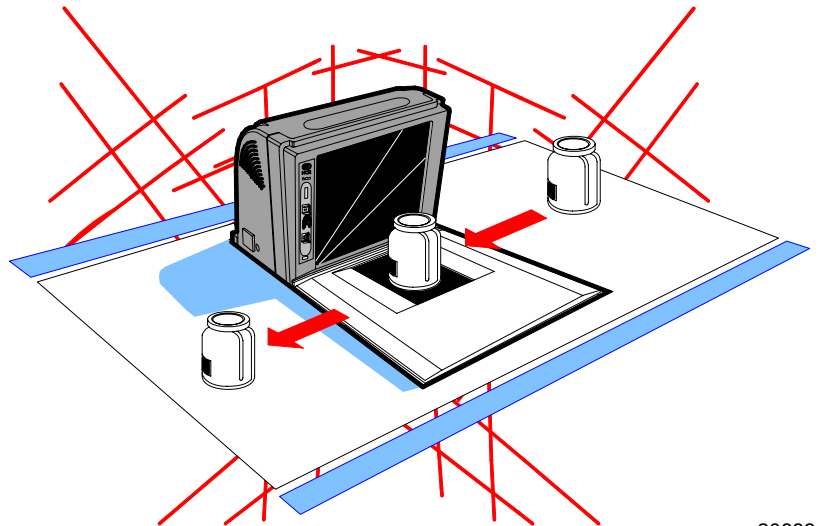


NCR RealScan 76

Release 1.0

Hardware Service Guide



20683

B005-0000-1653

Issue A

Table of Contents

Chapter 1: Functional Description

| | |
|-----------------------------|------|
| Active Scan Zone | 1-3 |
| Basic Operations | 1-3 |
| Firmware Flashing | 1-4 |
| Scan Patterns | 1-4 |
| Scanner/Scale Modules | 1-6 |
| Digital Board..... | 1-6 |
| Power Supply | 1-7 |
| Speaker | 1-8 |
| Scanner Modules | 1-9 |
| Laser Diode Modules..... | 1-9 |
| Spinner Motors | 1-10 |
| Video Boards..... | 1-11 |
| Optics Assemblies | 1-12 |
| Scale Modules | 1-13 |
| H-Bar..... | 1-14 |
| Load Cell | 1-15 |
| Calibration Switch | 1-16 |

Chapter 2: Scale Calibration

| | |
|---|-----|
| Exercise the Scale | 2-3 |
| Access the Calibration Switch..... | 2-3 |
| RealScan 76-1xxx/2xxx..... | 2-3 |
| RealScan 76-42xx/52xx | 2-4 |
| RealScan 76-82xx | 2-5 |
| Connect Field Service Calibration Display | 2-6 |

| | |
|-------------------------------------|------|
| Perform Calibration Procedure | 2-6 |
| Increasing Load Test | 2-9 |
| Over Capacity Test | 2-10 |
| Decreasing Load Test..... | 2-11 |
| Shift Test | 2-11 |
| Secure Calibration Switch | 2-12 |
| RealScan 76-1xxx/2xxx..... | 2-12 |
| RealScan 76-82xx | 2-13 |
| RealScan 76-42xx/52xx..... | 2-13 |

Chapter 3: Troubleshooting

| | |
|---|------|
| Scanner Problems..... | 3-2 |
| Common Scanner Problems..... | 3-2 |
| Operable Scanner Problems..... | 3-4 |
| Inoperable Scanner Problems | 3-5 |
| Scale Problems..... | 3-6 |
| Common Scale Problems..... | 3-6 |
| Inoperable Scale Problems | 3-9 |
| Bizerba Scale | 3-10 |
| Service Repair | 3-11 |
| Replacement Parts and Tools..... | 3-11 |
| Procedure..... | 3-11 |
| Scan Doctor Functions..... | 3-13 |
| Power-On Wellness Check Functions | 3-13 |
| Power-On Wellness Check—Scanner | 3-13 |
| Power-On Wellness Check—Scale..... | 3-16 |
| On-Going Wellness Check Functions..... | 3-21 |
| On-Going Wellness Check—Scanner | 3-21 |
| On-Going Wellness Check—Scale | 3-22 |

| | |
|------------------------------------|------|
| Service Diagnostics..... | 3-26 |
| Communication Protocol | 3-27 |
| Display Firmware Version..... | 3-28 |
| Display Parameter Changes | 3-29 |
| RS-232 Turnaround..... | 3-29 |
| Toad Test | 3-30 |
| Vibration Check..... | 3-31 |
| RS-232 Temporary Service Mode..... | 3-33 |

Chapter 4: Component Replacement

| | |
|---|------|
| Digital Board | 4-1 |
| Removing the Digital Board | 4-3 |
| Installing the Digital Board..... | 4-4 |
| Front Bezel..... | 4-6 |
| Removing Front Bezel | 4-6 |
| Installing Front Bezel..... | 4-7 |
| H-Bar | 4-8 |
| Removing H-Bar..... | 4-9 |
| Installing H-Bar | 4-10 |
| Horizontal Optics Assembly..... | 4-11 |
| Removing Horizontal Optics Assembly | 4-11 |
| Installing Horizontal Optics Assembly..... | 4-12 |
| Horizontal Spinner Motor | 4-13 |
| Removing Horizontal Spinner Motor | 4-14 |
| Installing Horizontal Spinner Motor | 4-14 |
| Horizontal Video Board | 4-15 |
| Removing the Horizontal Video Board | 4-15 |
| Installing the Horizontal Video Board | 4-16 |
| Load Cell..... | 4-16 |

| | |
|---|------|
| Removing Load Cell | 4-16 |
| Installing Load Cell..... | 4-19 |
| Speaker..... | 4-22 |
| Removing the Speaker..... | 4-22 |
| Installing the Speaker | 4-23 |
| Subplate | 4-24 |
| Removing the Subplate | 4-24 |
| Installing the Subplate..... | 4-25 |
| Top Plate..... | 4-25 |
| Removing the Top Plate..... | 4-26 |
| Installing the Top Plate..... | 4-27 |
| Tower Cabinet Assembly | 4-28 |
| Removing the Tower Cabinet Assembly | 4-28 |
| Installing the Tower Cabinet Assembly..... | 4-29 |
| Vertical Optics Engine | 4-30 |
| Removing Vertical Optics Assembly..... | 4-30 |
| Installing the Vertical Optics Assembly..... | 4-32 |
| Vertical Spinner Motor | 4-37 |
| Removing the Vertical Spinner Motor | 4-38 |
| Installing the Vertical Spinner Motor..... | 4-39 |
| Vertical Video Board..... | 4-39 |
| Removing the Vertical Video Board..... | 4-40 |
| Installing the Vertical Video Board | 4-40 |
| RealScan 25 Remote Compact Display Replaceable Components..... | 4-42 |
| RealScan 25 Remote Display Module..... | 4-42 |
| Removing the RealScan 25 Display Assembly..... | 4-42 |
| Installing the RealScan 25 Display Assembly | 4-43 |
| Removing the RealScan 25 Display Module | 4-44 |

| | |
|---|------|
| Installing the 7825 Display Module..... | 4-44 |
|---|------|

Chapter 5: Printed Circuit Boards

| | |
|--------------------|-----|
| Digital Board..... | 5-1 |
| Video Board | 5-3 |

Chapter 6: Cables

| | |
|---|------|
| Display Cables..... | 6-1 |
| RealScan 25 Compact Remote Display..... | 6-2 |
| Single Display | 6-2 |
| Dual Display | 6-3 |
| RealScan 25 Remote Display..... | 6-4 |
| Price/Weight Multiplex Terminal 2552, 2557, 1255..... | 6-5 |
| Field Service Calibration Display..... | 6-6 |
| Interface Cables | 6-7 |
| NCR Host Terminals..... | 6-7 |
| Fujitsu Host Terminals | 6-9 |
| IBM Host Terminals..... | 6-10 |
| ICL Host Terminals..... | 6-14 |
| NEC Host Terminals..... | 6-17 |
| SASI Host Terminals..... | 6-18 |
| Siemens Nixdorf Host Terminals..... | 6-21 |
| TEC Host Terminals..... | 6-22 |
| USB Host Terminals..... | 6-23 |
| Internal Cables..... | 6-24 |
| Calibration Switch Harness..... | 6-24 |
| Horizontal Spinner Motor Harness | 6-25 |
| Horizontal Video Board Harness..... | 6-25 |
| Vertical Checkpoint® Antenna Harness | 6-25 |

| | |
|--|------|
| Vertical Checkpoint® Harness | 6-25 |
| Vertical Spinner Motor Harness..... | 6-26 |
| Vertical Video Board Harness..... | 6-27 |
| RS-232 Peripheral Cables | 6-28 |
| RS-232 Peripheral Cable Extension..... | 6-28 |
| RS-232 Daisy Chain..... | 6-29 |
| RS-232 Turnaround Plug | 6-30 |

Chapter 7: Parts Information

| | |
|---------------------------------|------|
| Digital Board..... | 7-2 |
| H-Bar..... | 7-3 |
| Horizontal Optics..... | 7-4 |
| Load Cell | 7-5 |
| Mounting Bracket | 7-6 |
| Subplate..... | 7-7 |
| Top Plate / Produce Guard | 7-8 |
| Tower Cabinet Assembly..... | 7-9 |
| Vertical Optics | 7-10 |
| Vertical Base | 7-10 |
| Old Style | 7-10 |
| New Style | 7-11 |

Appendix A: Troubleshooting Flowchart

Appendix B: Technical Support

This is a “Table of Contents preview” for quality assurance

The full manual can be purchased from our store:

[https://the-checkout-tech.com/manuals/NCR/7876 hardware service manual.html](https://the-checkout-tech.com/manuals/NCR/7876%20hardware%20service%20manual.html)

And our free Online Keysheet maker:

<https://the-checkout-tech.com/Cash-Register-Keysheet-Creator/>

[HTTPS://THE-CHECKOUT-TECH.COM](https://THE-CHECKOUT-TECH.COM)